



SIMPLY STAINLESS

Modular Sinks, Tables & Shelving



05-SH-6-0600

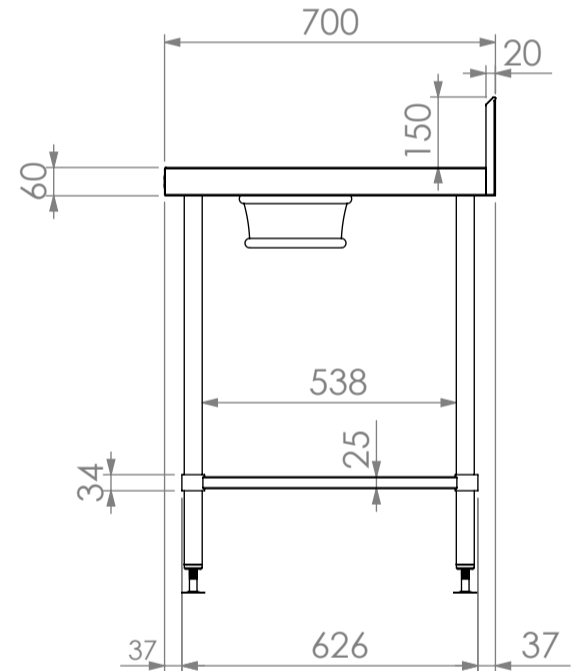
*Bin not included. Illustration only.



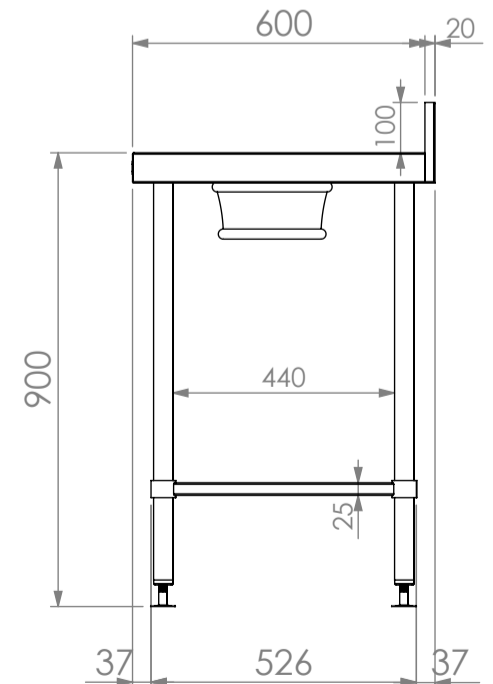
05-SH-7-0600

*Bin not included. Illustration only.

SPECIFICATION	
Tops	- High quality 304 grade stainless steel. - 1.2mm gauge, no. 4 Finish.
Core	- 3mm zincalume. - Marine grade protective paint .
Frames	- Ø38mm round stainless steel tube. - Satin polished. - Machined collars. - Adjustable stainless disc feet.
Leg brace	- Stainless steel round & square tube.



*700mm DEEP MODULE ELEVATION.



*600mm DEEP MODULE ELEVATION.

05	Workbench with Scrape Hole			
	Product Code	Dimensions (mm)	Unit weight (Kg)	Load capacity (Kg)
	05-SH-6-0600	600x600x900	20	160
	05-SH-7-0600	700x600x900	22	160

